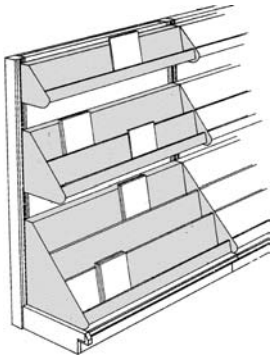


BOOK and MAGAZINE DISPLAYERS

MAGAZINE DISPLAYER^A



Sturdy metal end panels also act as brackets to attach displayer to upright. Sloping back is ideal for faceout presentation of larger format publications. Ribbed composition insert in bottom prevents sliding of magazines.

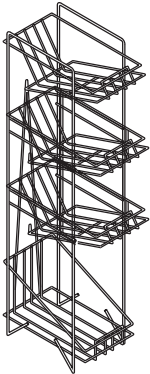
DM2T-(NW)

DMMagazine Displayer
 2TTiers BLANK=One 2=Two 3=Three
 NWNominal Width 3' or 4'
(91.44 cm or 121.92 cm)

Tiers x Width				Wt.	Optional color ...add
SINGLE'	3'	DMT-3	\$36.60	4.5	\$1.50
	4'	DMT-4	\$36.60	7.9	
DOUBLE	3'	DM2T-3	\$59.10	18.1	\$3.00
	4'	DM2T-4	\$59.10	16.7	
TRIPLE	3'	DM3T-3	\$87.60	20.5	\$7.50
	4'	DM3T-4	\$87.60	26.6	

•Single tier.....10" high x 8" deep
 •Double tier...16" high x 13" deep
 •Triple tier.....22" high x 19" deep

"HOW TO" MAGAZINE DISPLAY^A



The Wire Magazine Display can also be used for books, catalogs and tabloids. Baskets are 9½" high, 13" wide and 15½" deep. Display frame is 51" high. This display comes with four total baskets. The top and bottom baskets are welded to the frame. Two more baskets are included for adjustability.

HTMD

HTMD "How To" Magazine Display

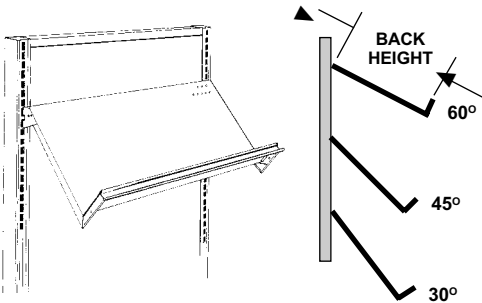
	Wt.
HTMD	\$119.65 10.6

•Optional color... add \$3.00 each.



UPTILT SHELF^A

Effective for displaying small boxed items in a tilted face out manner. Shelf back available in 10", 12", 14" heights, 4" shelf depth only.



Back Height x Width		Wt.	
		3'	4'
10" x 3' or 4'	\$28.20	6.5	8.6
12" x 3' or 4'	\$32.15	8.0	10.1
14" x 3' or 4'	\$34.10	9.5	11.6

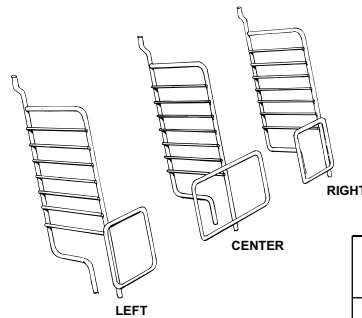
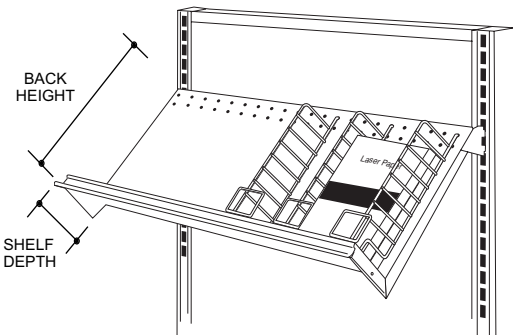
•Optional color...add \$1.50 each
 •Other back heights and shelf depths available

UTSN45-(NW)-(NH)4

UTSNUptilt Shelf
 4530, 45, 60 Degree Tilt
 NWNominal Width 3' or 4'
(91.44 cm or 121.92 cm)
 NHNominal Back Height 10", 12", 14"
(25.40 cm, 30.48 cm, 35.56 cm)
 4Shelf Depth 4" (10.16 cm) Only

UPTILT SHELF WIRE DIVIDER^P

Designed to be used as a divider on the UTSN Uptilt Shelf. Useful for the display of stationary items in flat boxes or packaging with labeling on the top face. Available in a variety of widths and depths. When ordering, please specify left, right or center in the part number listed below.



UTSWD-(NH)(ND)-(TYPE)

UTSWDUptilt Shelf Wire Divider
 NHNominal Height 10" to 18" in 2" increments
(25.40 cm to 45.72 cm in 5.08 cm increments)
 NDNominal Depth 4", 6", 8"
(10.16 cm, 15.24 cm, 20.32 cm)
 TYPEC=Center L=Left R=Right

Back Height	4" DEPTH		6" DEPTH		8" DEPTH	
	List	Wt.	List	Wt.	List	Wt.
10"	\$11.60	.4	\$11.60	.4	\$11.60	.4
12"	\$11.85	.5	\$11.85	.5	\$11.85	.5
14"	\$12.05	.5	\$12.05	.5	\$12.05	.5
16"	\$12.20	.6	\$12.20	.6	\$12.20	.6
18"	\$12.55	.7	\$12.55	.7	\$12.55	.7

• Optional color ...add \$0.75.