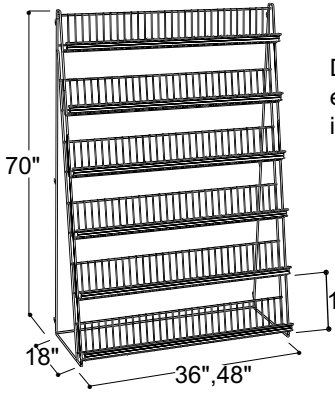


BOOK and MAGAZINE DISPLAYERS

MAGAZINE & CALENDAR DISPLAY^D

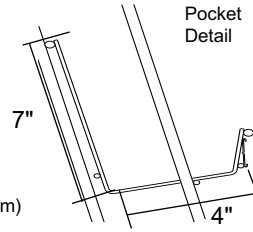
...six pockets high

Designed to display larger printed materials. Each pocket measures 4" deep and 7" high. Bottom of pocket to bottom of pocket dimension is 12". Maximum load capacity is 150 lbs. Each shelf has 1/4" tag molding attached.



MCD6-(NW)

MCD6Six Pocket Magazine & Calendar Display
NWNominal Width 36" or 48" (91.44 cm or 121.92 cm)



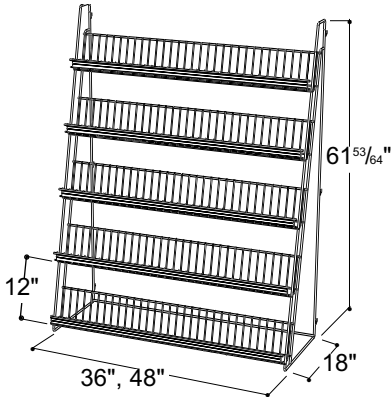
		Wt.
36"	\$126.70	33.4
48"	\$126.70	40.7

• Optional color... add \$5.00 each.

MAGAZINE & CALENDAR DISPLAY^D

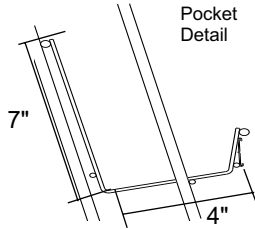
...five pockets high

Designed to display larger printed materials. Each pocket measures 4" deep and 7" high. Bottom of pocket to bottom of pocket dimension is 12". Maximum load capacity is 125 lbs. Each shelf has 1/4" tag molding attached.



MCD-(NW)

MCDMagazine & Calendar Display
NWNominal Width 36" or 48"
.....(91.44 cm or 121.92 cm)

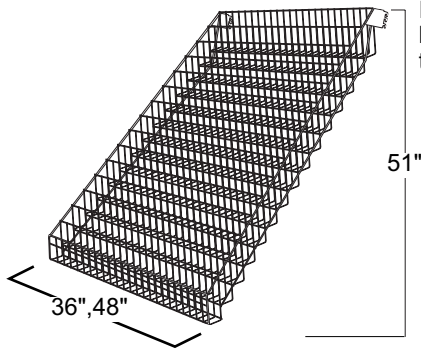


		Wt.
36"	\$108.65	29.2
48"	\$108.65	35.3

• Optional color... add \$3.00 each.

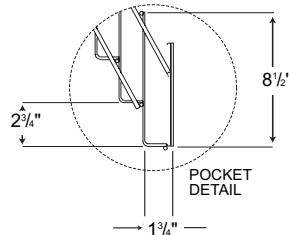
WIRE MAGAZINE & BOOK DISPLAY^D

Designed to display larger printed materials. Each of the 15 pockets measures 1 3/4" deep and 8 1/2" high. Bottom of pocket to bottom of pocket dimension is 2 3/4". The brackets install into the upright, the bottom rests on a 26" or larger Base Shelf.



WMBD-(NW)

WMBDWire Magazine & Book Display
NWNominal Width 36" or 48"
.....(91.44 cm or 121.92 cm)

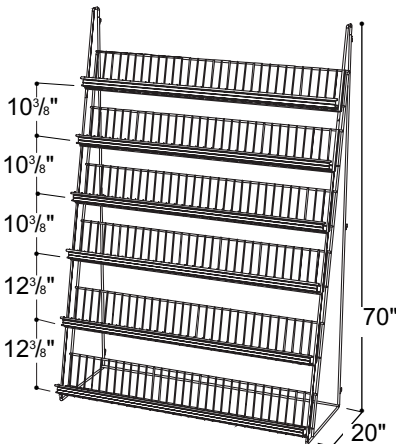


		Wt.
36"	\$166.75	42.6
48"	\$166.75	54.6

• Optional color... add \$5.00 each.

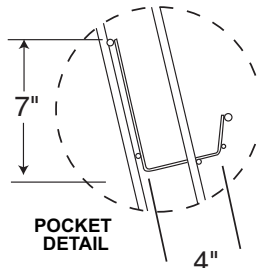
70" BOOK DISPLAY^D

Designed to display larger printed materials. The unit is 70" tall. Each pocket measures 4" deep and 7" high. Bottom of pocket to bottom of pocket dimension of the two bottom pockets is 12 3/8". Bottom of pocket to bottom of pocket dimension of the four upper pockets is 10 3/8".



BD70-(NW)

BD70Book Display 70"
NWNominal Width 36" or 48"
.....(91.44 cm or 121.92 cm)



Width		Wt.
36"	\$126.70	33.4
48"	\$126.70	40.7

• Optional color... add \$5.00 each.